



CROSSFIRE

Coaxial Passives

**BTI_3rd Party RF Loads and Attenuates
supplied v1.1**

1	3
1. RF Loads.....	4
1.1 LD200-H0338-4310.....	4
Technical Specifications	4
Drawing	4
1.2 LD200-H0338-D.....	5
Technical Specifications	5
Drawing	5
1.3 LD100-H0338-4310.....	6
Technical Specifications	6
Drawing	6
1.4 LD100-H0338-D.....	7
Technical Specifications	7
Drawing	7
1.5 LD50-H0338-4310.....	8
Technical Specifications	8
Drawing	8
1.6 LD50-H0338-D.....	9
Technical Specifications	9
Drawing	9
1.7 LD30-H0338-4310.....	10
Technical Specifications	10
Drawing	10
1.8 LD30-H0338-D.....	11
Technical Specifications	11
Drawing	11
2. RF Attenuators	12
2.1 AT30-200-H0727-4310	12
Technical Specifications	12
Drawing	12

2.2 AT20-200-H0727-4310.....	
Technical Specifications.....	13
Drawing.....	13
2.3 AT10-200-H0727-4310.....	14
Technical Specifications.....	14
Drawing.....	14
2.4 AT30-100-H0727-4310.....	15
Technical Specifications.....	15
Drawing.....	15
2.5 AT20-100-H0727-4310.....	16
Technical Specifications.....	16
Drawing.....	16
2.6 AT10-100-H0727-4310.....	17
Technical Specifications.....	17
Drawing.....	17
2.7 AT30-050-H0727-4310.....	18
Technical Specifications.....	18
Drawing.....	18
2.8 AT20-050-H0727-4310.....	19
Technical Specifications.....	19
Drawing.....	19
2.9 AT10-050-H0727-4310.....	20
Technical Specifications.....	20
Drawing.....	20

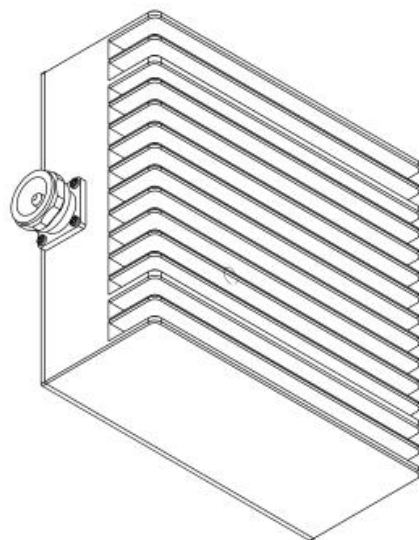
1. RF Loads

1.1 LD200-H0338-4310

Technical Specifications

Frequency Range	380~3800 MHz
VSWR	≤1.3
Impedance	50 Ω
Power Handling	200W
PIM3	≤-160dBc@2*20W
Connector	4.3-10 Female
Operating Temperature	-40~+75 °C
Relative Humidity	5~95 %
Application	Indoor or Outdoor (IP65)
Dimensions	130x96x108 mm
Weight	1.8kg

Drawing

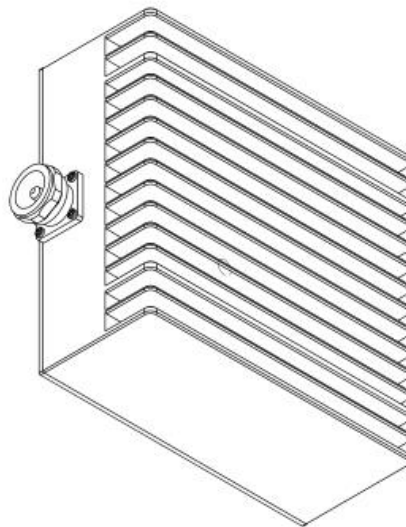


1.2 LD200-H0338-D

Technical Specifications

Frequency Range	380~3800 MHz
VSWR	≤1.3
Impedance	50 Ω
Power Handling	200W
PIM3	≤-160dBc@2*20W
Connector	DIN Female
Operating Temperature	-40~+75 °C
Relative Humidity	5~95 %
Application	Indoor or Outdoor (IP65)
Dimensions	130x96x108 mm
Weight	1.8kg

Drawing

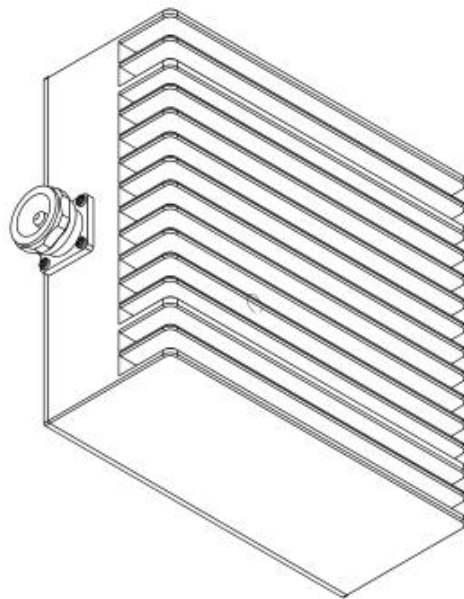


1.3 LD100-H0338-4310

Technical Specifications

Frequency Range	380~3800 MHz
VSWR	≤1.3
Impedance	50 Ω
Power Handling	100W
PIM3	≤-160dBc@2*20W
Connector	4.3-10 Female
Operating Temperature	-40~+75 °C
Relative Humidity	5~95 %
Application	Indoor or Outdoor (IP65)
Dimensions	130x96x108 mm
Weight	1.8kg

Drawing

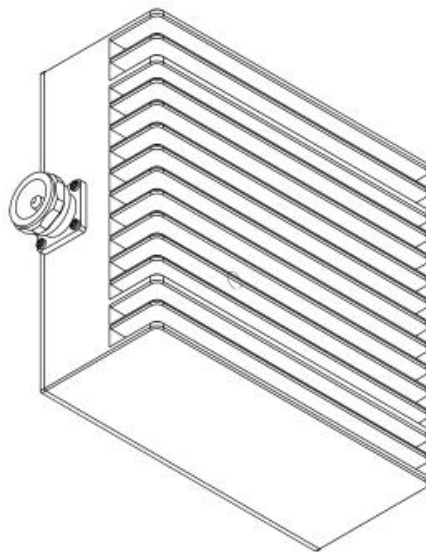


1.4 LD100-H0338-D

Technical Specifications

Frequency Range	380~3800 MHz
VSWR	≤1.3
Impedance	50 Ω
Power Handling	100W
PIM3	≤-160dBc@2*20W
Connector	DIN Female
Operating Temperature	-40~+75 °C
Relative Humidity	5~95 %
Application	Indoor or Outdoor (IP65)
Dimensions	130x96x108 mm
Weight	1.8kg

Drawing

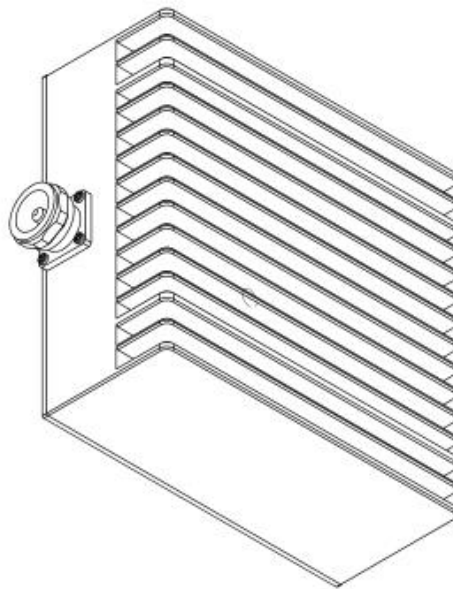


1.5 LD50-H0338-4310

Technical Specifications

Frequency Range	380~3800 MHz
VSWR	≤1.3
Impedance	50 Ω
Power Handling	50W
PIM3	≤-160dBc@2*20W
Connector	4.3-10 Female
Operating Temperature	-40~+75 °C
Relative Humidity	5~95 %
Application	Indoor or Outdoor (IP65)
Dimensions	130x96x71 mm
Weight	1.4kg

Drawing

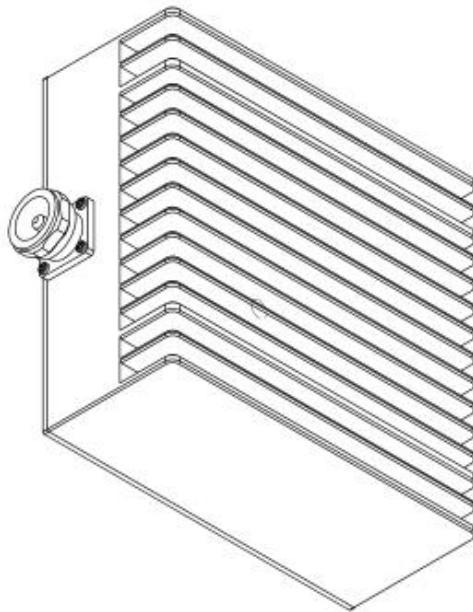


1.6 LD50-H0338-D

Technical Specifications

Frequency Range	380~3800 MHz
VSWR	≤1.3
Impedance	50 Ω
Power Handling	50W
PIM3	≤-160dBc@2*20W
Connector	DIN Female
Operating Temperature	-40~+75 °C
Relative Humidity	5~95 %
Application	Indoor or Outdoor (IP65)
Dimensions	130x96x71 mm
Weight	1.4kg

Drawing

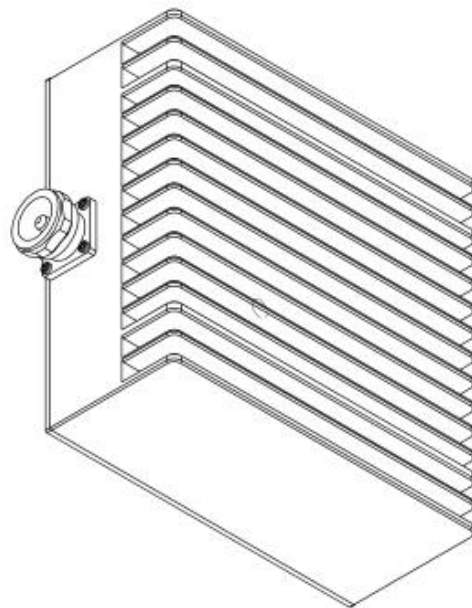


1.7 LD30-H0338-4310

Technical Specifications

Frequency Range	380~3800 MHz
VSWR	≤1.3
Impedance	50 Ω
Power Handling	30W
PIM3	≤-160dBc@2*20W
Connector	4.3-10 Female
Operating Temperature	-40~+75 °C
Relative Humidity	5~95 %
Application	Indoor or Outdoor (IP65)
Dimensions	130x96x37 mm
Weight	1.0kg

Drawing

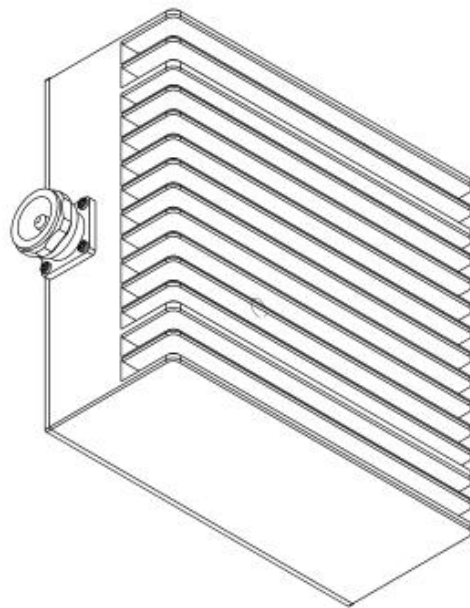


1.8 LD30-H0338-D

Technical Specifications

Frequency Range	380~3800 MHz
VSWR	≤1.3
Impedance	50 Ω
Power Handling	30W
PIM3	≤-160dBc@2*20W
Connector	DIN Female
Operating Temperature	-40~+75 °C
Relative Humidity	5~95 %
Application	Indoor or Outdoor (IP65)
Dimensions	130x96x37 mm
Weight	1.0kg

Drawing



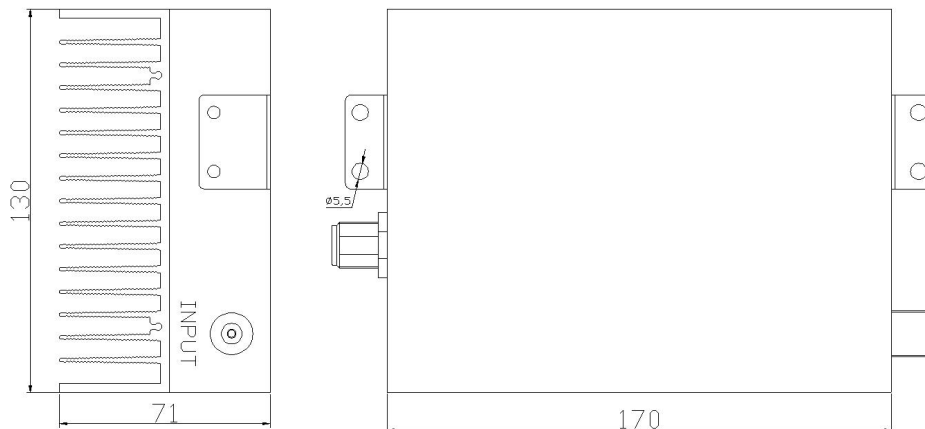
2. RF Attenuators

2.1 AT30-200-H0727-4310

Technical Specifications

Frequency Range	698~2700 MHz
Attenuation	-30±2dB
VSWR	≤1.3
Impedance	50 Ω
Power Handling	200W
PIM3	≤-160dBc@2*20W
Connector	In/Out:4.3-10 Female
Operating Temperature	-40~+75 °C
Relative Humidity	5~95 %
Application	Indoor (IP40)
Dimensions	170x130x71 mm
Weight	2.4kg

Drawing

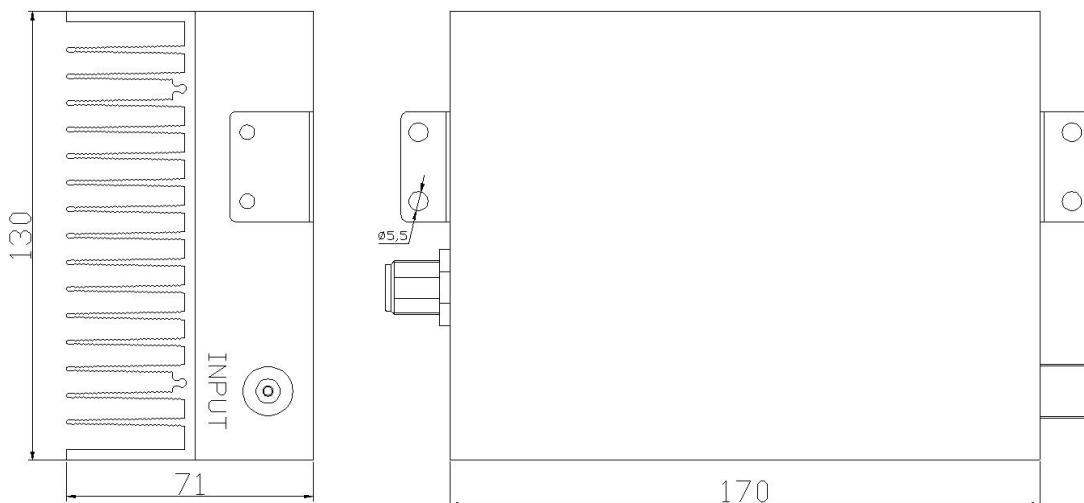


2.2 AT20-200-H0727-4310

Technical Specifications

Frequency Range	698~2700 MHz
Attenuation	-20±2dB
VSWR	≤1.3
Impedance	50 Ω
Power Handling	200W
PIM3	≤-160dBc@2*20W
Connector	In/Out:4.3-10 Female
Operating Temperature	-40~+75 °C
Relative Humidity	5~95 %
Application	Indoor (IP40)
Dimensions	170x130x71 mm
Weight	2.4kg

Drawing

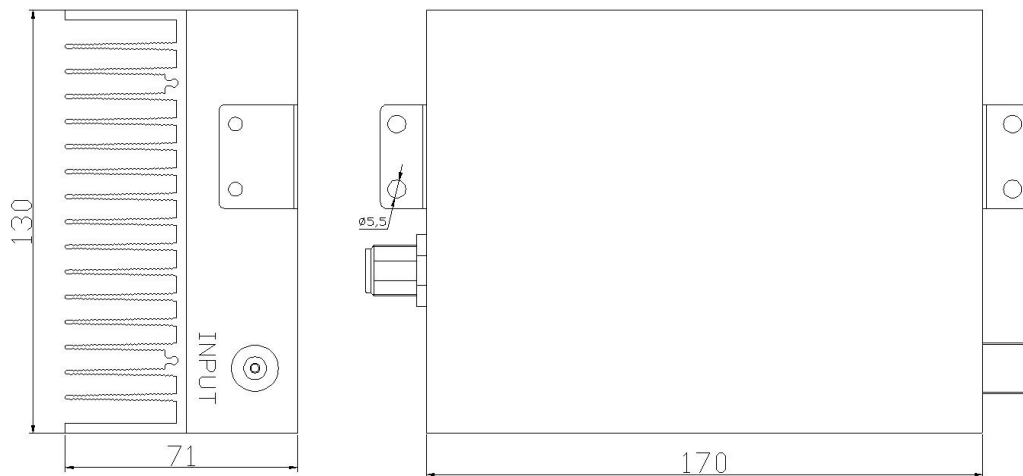


2.3 AT10-200-H0727-4310

Technical Specifications

Frequency Range	698~2700 MHz
Attenuation	-10±1dB
VSWR	≤1.3
Impedance	50 Ω
Power Handling	200W
PIM3	≤-160dBc@2*20W
Connector	In/Out:4.3-10 Female
Operating Temperature	-40~+75 °C
Relative Humidity	5~95 %
Application	Indoor (IP40)
Dimensions	170x130x71 mm
Weight	2.4kg

Drawing

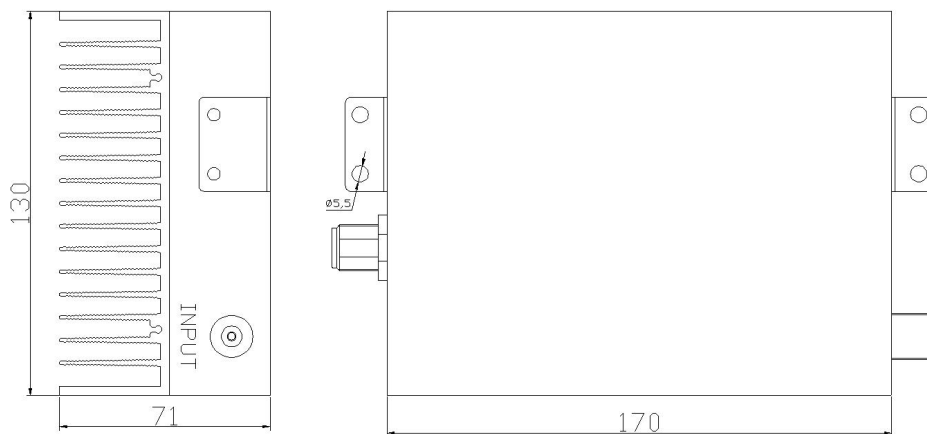


2.4 AT30-100-H0727-4310

Technical Specifications

Frequency Range	698~2700 MHz
Attenuation	-30±2dB
VSWR	≤1.3
Impedance	50 Ω
Power Handling	100W
PIM3	≤-160dBc@2*20W
Connector	In/Out:4.3-10 Female
Operating Temperature	-40~+75 °C
Relative Humidity	5~95 %
Application	Indoor (IP40)
Dimensions	170x130x71 mm
Weight	1.8kg

Drawing

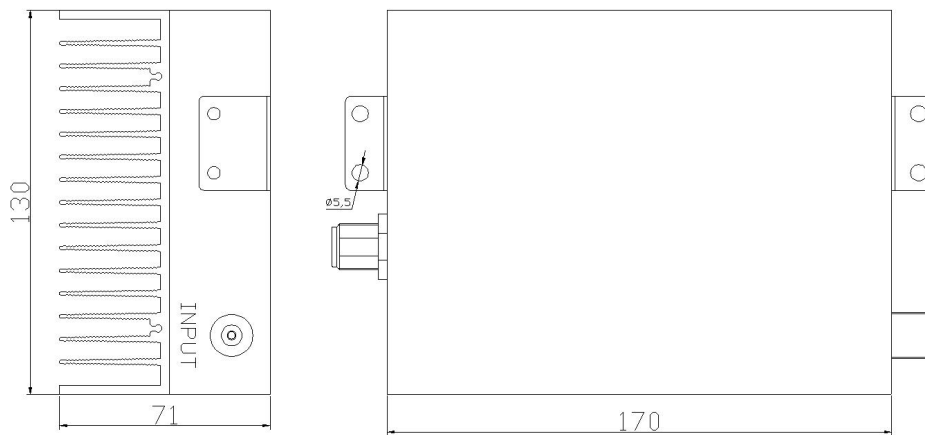


2.5 AT20-100-H0727-4310

Technical Specifications

Frequency Range	698~2700 MHz
Attenuation	-20±2dB
VSWR	≤1.3
Impedance	50 Ω
Power Handling	100W
PIM3	≤-160dBc@2*20W
Connector	In/Out:4.3-10 Female
Operating Temperature	-40~+75 °C
Relative Humidity	5~95 %
Application	Indoor (IP40)
Dimensions	170x130x71 mm
Weight	1.8kg

Drawing

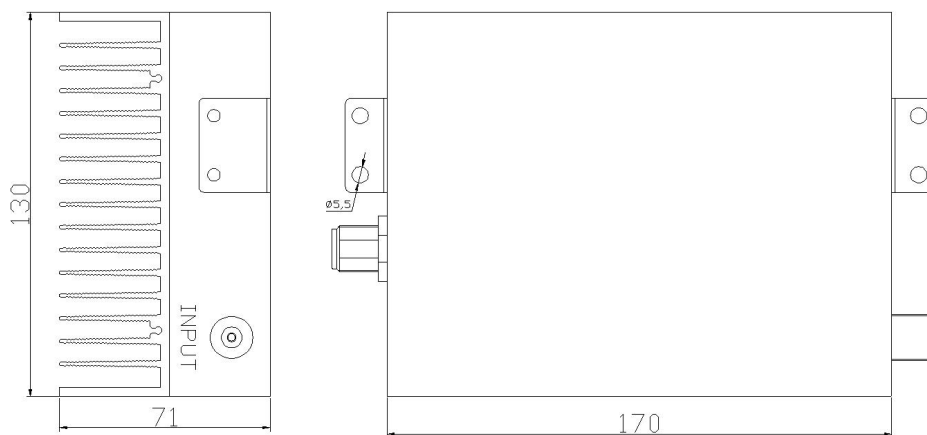


2.6 AT10-100-H0727-4310

Technical Specifications

Frequency Range	698~2700 MHz
Attenuation	-10±1dB
VSWR	≤1.3
Impedance	50 Ω
Power Handling	100W
PIM3	≤-160dBc@2*20W
Connector	In/Out:4.3-10 Female
Operating Temperature	-40~+75 °C
Relative Humidity	5~95 %
Application	Indoor (IP40)
Dimensions	170x130x71 mm
Weight	1.8kg

Drawing

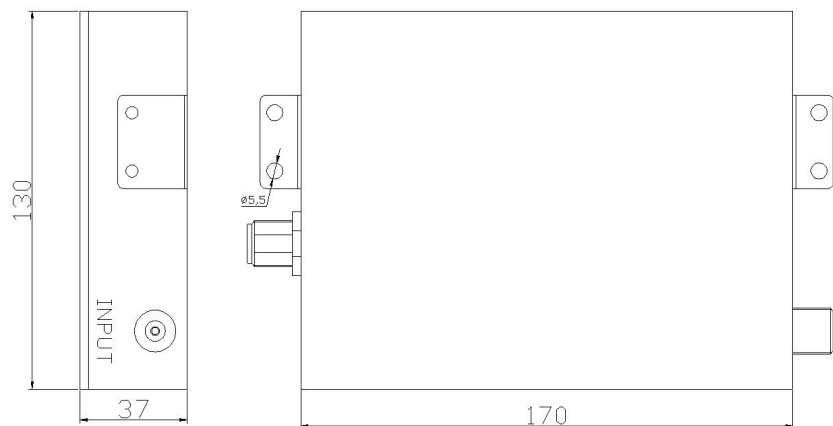


2.7 AT30-050-H0727-4310

Technical Specifications

Frequency Range	698~2700 MHz
Attenuation	-30±2dB
VSWR	≤1.3
Impedance	50 Ω
Power Handling	50W
PIM3	≤-160dBc@2*20W
Connector	In/Out:4.3-10 Female
Operating Temperature	-40~+75 °C
Relative Humidity	5~95 %
Application	Indoor (IP40)
Dimensions	170x130x37 mm
Weight	1.2kg

Drawing

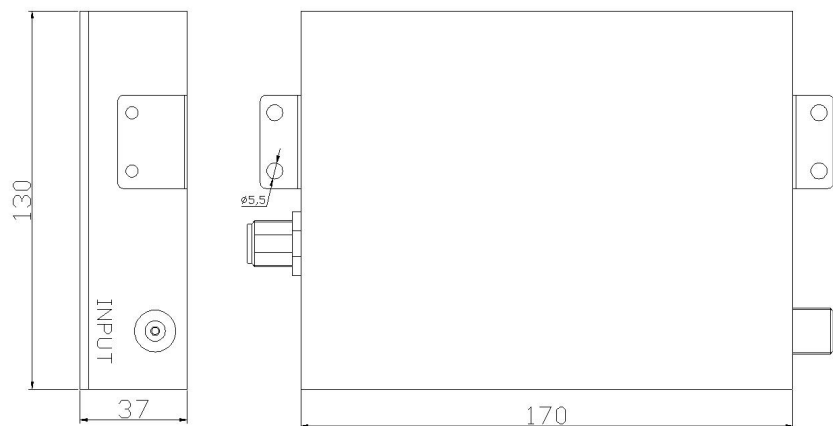


2.8 AT20-050-H0727-4310

Technical Specifications

Frequency Range	698~2700 MHz
Attenuation	-20±2dB
VSWR	≤1.3
Impedance	50 Ω
Power Handling	50W
PIM3	≤-160dBc@2*20W
Connector	In/Out:4.3-10 Female
Operating Temperature	-40~+75 °C
Relative Humidity	5~95 %
Application	Indoor (IP40)
Dimensions	170x130x37 mm
Weight	1.2kg

Drawing



2.9 AT10-050-H0727-4310

Technical Specifications

Frequency Range	698~2700 MHz
Attenuation	-10±1dB
VSWR	≤1.3
Impedance	50 Ω
Power Handling	50W
PIM3	≤-160dBc@2*20W
Connector	In/Out:4.3-10 Female
Operating Temperature	-40~+75 °C
Relative Humidity	5~95 %
Application	Indoor (IP40)
Dimensions	170x130x37 mm
Weight	1.2kg

Drawing

