



sCELL-EF

LTE Enterprise Femtocell

TDD/FDD, 2x2 MIMO, 2x125mw

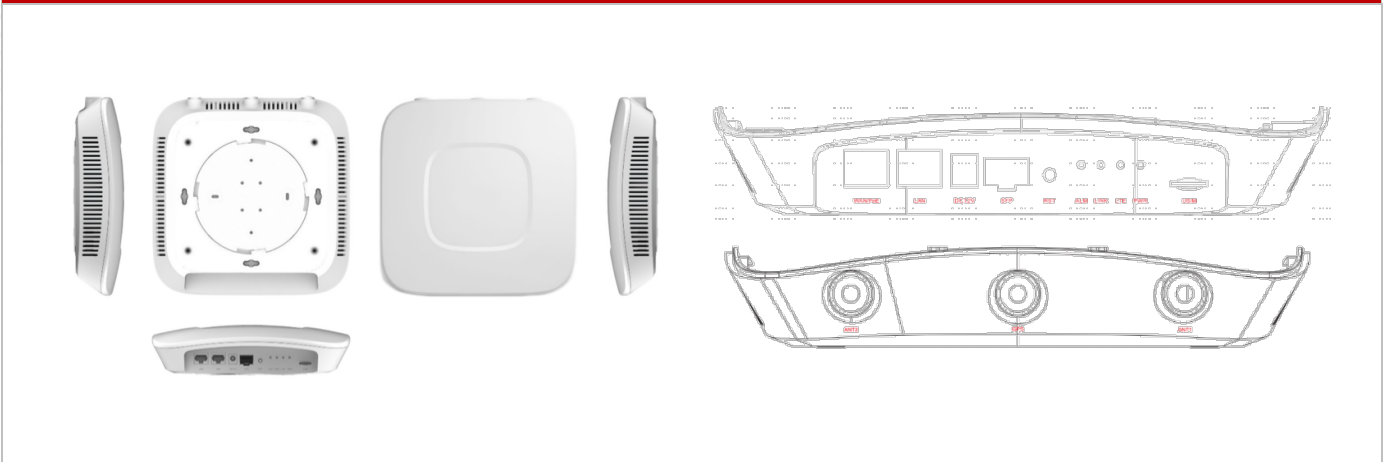
64 Concurrent Users, 128 RRC

The sCELL-EF from BTI Wireless is an enterprise-level 4G integrated Femto applying LTE technology. The product connects to the backbone network through wired backhaul, and provides LTE access for terminals. It supports the transmission of voice and data with indoor wireless broadband coverage.

KEY FEATURES

- Integrated design of baseband and radio head
- Based on 3GPP LTE technology with high-speed data services
- Supports 5 MHz, 10 MHz, 15 MHz, 20 MHz bandwidth
- Convenient networking, plug and play solution, easy and flexible deployment
- External high-gain Antenna for various usage scenarios
- Built-in DHCP server, DNS client and NAT functions, powerful high-speed routing capabilities
- Plentiful security service provides real-time protection, to prevent potential security risks and illegal intrusion
- Web-based management, convenient and intuitive
- Complete network management function
- Humanized indicator light, easy to observe and manage equipment status

APPEARANCE



INTERFACE SPECIFICATIONS

INTERFACE NAME	QUANTITY	INTERFACE TYPE	INTERFACE DEFINITION
WAN/ PoE	1	RJ45	Data return and PoE+ power supply interface
LAN	1	RJ45	Local debugging interface
USIM	1		USIM card slot
SFP (Optional)	1	SFP	Data transmit back to optical interface
DC 12V	1	DC Socket	12V DC power supply interface
RST	1		Manual reset device button
GPS	1	SMA	GPS antenna interface

HARDWARE SPECIFICATIONS	
Work Style	LTE FDD
Working Frequency	1/3/7/20/28/38/40 & customized
Working Bandwidth	5 MHz/ 10 MHz/ 15 MHz/ 20 MHz
Transmit Power	2 x 21 dBm
Synchronously	Support GPS, IEEE 1588 V2, IEEE 1588 ACR and air interface synchronization
Return Method	RJ-45 ethernet port (1GE), SFP optical port
MIMO	2 x 2
Equipment Size	220 mm x 220 mm x 39 mm 8.66 in x 8.66 in x 1.54 in
Installation Method	Lay flat, wall hung, ceiling
Power Consumption	< 15W
Power Supply	220V AC to 12V DC power adapter, POE power supply
Weight	< 0.6 kg 1.32 lbs
Equipment Capacity	< 2L

SOFTWARE SPECIFICATIONS	
Technical Standard	3GPP Release 12
Peak Rate (20 MHz Bandwidth)	DL: 150 Mbps/ UL: 50 Mbps
Operational Capacity	Support 64 concurrent users, 128 RRC connected users
Scheduling Method	3GPP standard QCI
Modulation	Uplink: BPSK, QPSK, 16QAM Downlink: BPSK, QPSK, 16QAM, 64QAM
Voice Solution	VoLTE
SON	Support automatic configuration, ANR and PCI conflict detection
Network Management Interface	Support TR069 interface protocol
MTBF	< 150,000 hours
MTTR	< 1 hour
O&M	Remote/local maintenance, based on SSH protocol Online status management Performance statistics Fault management Configuration management Local or remote software upgrade and loading Support log Connectivity diagnosis Self-start and self-configuration deployment Alarm reporting, support KPI reporting User information tracking

ENVIRONMENTAL SPECIFICATIONS

Operating Temperature	-5 °C ~ 40 °C 23 °F ~ 104 °F
Humidity	10% ~ 95%

* Frequency band can be customized according to specific projects

Contact Us

www.btiwireless.com

sales@btiwireless.com